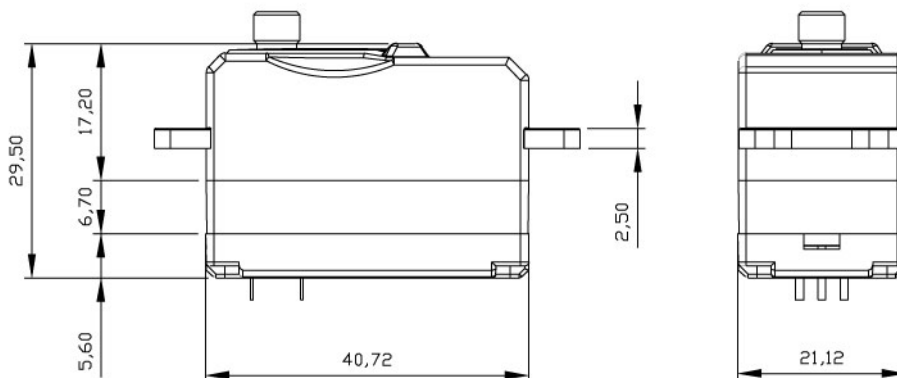


SSV-9610MG+RTG / Retract Gear Servo Specification

Servo Description

as people usual learn about F3A low profile leading gear servos, strong torque and precision movement, move your retract gear in a realistic manner that you need.

Item No:	SSV- 9610MG+RTG
Weight:	34 grams / 1.19oz.
Dimensions:	42 x 20.0 x 22 mm / 1.65 x 0.78 x 0.87 inch
Torque At 4.8V:	7.4kg/cm , 112 oz/in
Torque At 6.0V:	9.0kg/cm , 134 oz/in
Speed At 4.8V:	0.31 sec / 60 deg at no load
Speed At 6.0V:	0.24 sec / 60 deg at no load
Running Current	180mA
Stall Current	500mA
Horn Gear Spline	25 Tooth
Connector Wire Length	300mm (11.81in)
Connector Horsing	Universal connector
Ball Bearing:	Dual / M10x6
Gear Types	Metal Gear



Unit: mm