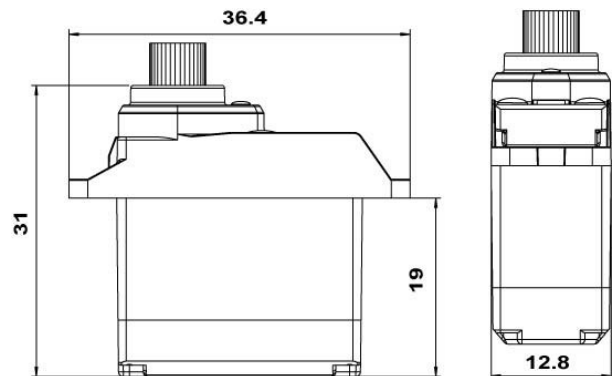


SSV-9320MG+RTG / Micro Retract Gear Servo Specification

Item No:	SSV-9320MG+RTG
Weight:	16.2g/0.59oz
Dimensions:	26x13x26 mm / 1.16x0.51x1.02 inch
Torque At 4.8V:	2.5kg-cm / 40oz-in
Torque At 6.0V:	3.4kg-cm / 48oz-in
Speed At 4.8V:	0.17 sec / 60° at no load
Speed At 6.0V:	0.15 sec / 60° at no load
Running Current	320mA
Stall Current	1100mA
Horn Gear Spline	25 Segments / (Same as Futaba)
Connector Wire Length	300mm (11.81in)
Connector Horsing	Universal connector
Ball Bearing:	Dual / M9x7
Gear Types	Metal Gear
Travel Range	185degree



Unit: mm